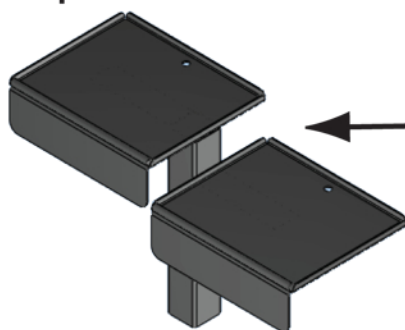




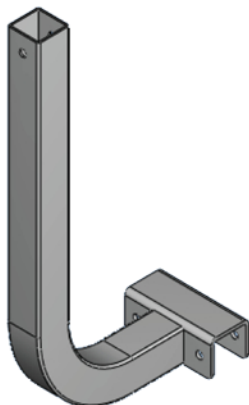
KettleBlock™20/40 Two Tier Stand Assembly Instructions

Thank you for purchasing the KettleBlock™ Stand. If you have any questions concerning this product, please call customer service at 507-451-7397.



Stand Top
For use with
KettleBlock™ 20
and KettleBlock™ 40

Stand Upright



Start assembly by attaching Stand Upright to Stand Base with supplied bolts-washers-nuts, using two 17mm Box End Wrenches or socket set.

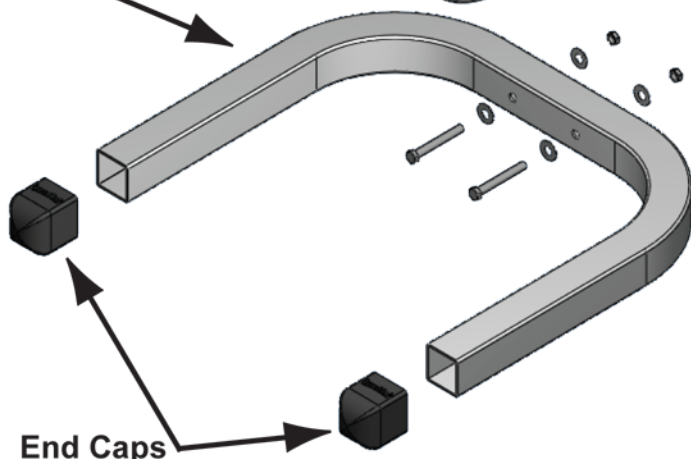
NOTE: Be sure to sufficiently tighten all hardware to insure proper rigidity of Stand.

Attach End caps to Stand Base (this step may already come assembled).

Attach Stand top to Stand Upright by simply sliding into Stand Upright.

WARNING!!!: KETTLEBLOCK™ STAND MAXIMUM WEIGHT RATING IS 60 LBS. USE OF HEAVIER WEIGHTS ON STAND COULD CAUSE SEVERE BODILY INJURY TO YOU OR OTHERS AROUND EQUIPMENT. MINORS AND CHILDREN SHOULD NOT BE ALLOWED TO PLAY ON OR AROUND THIS EQUIPMENT.

Stand Base



End Caps