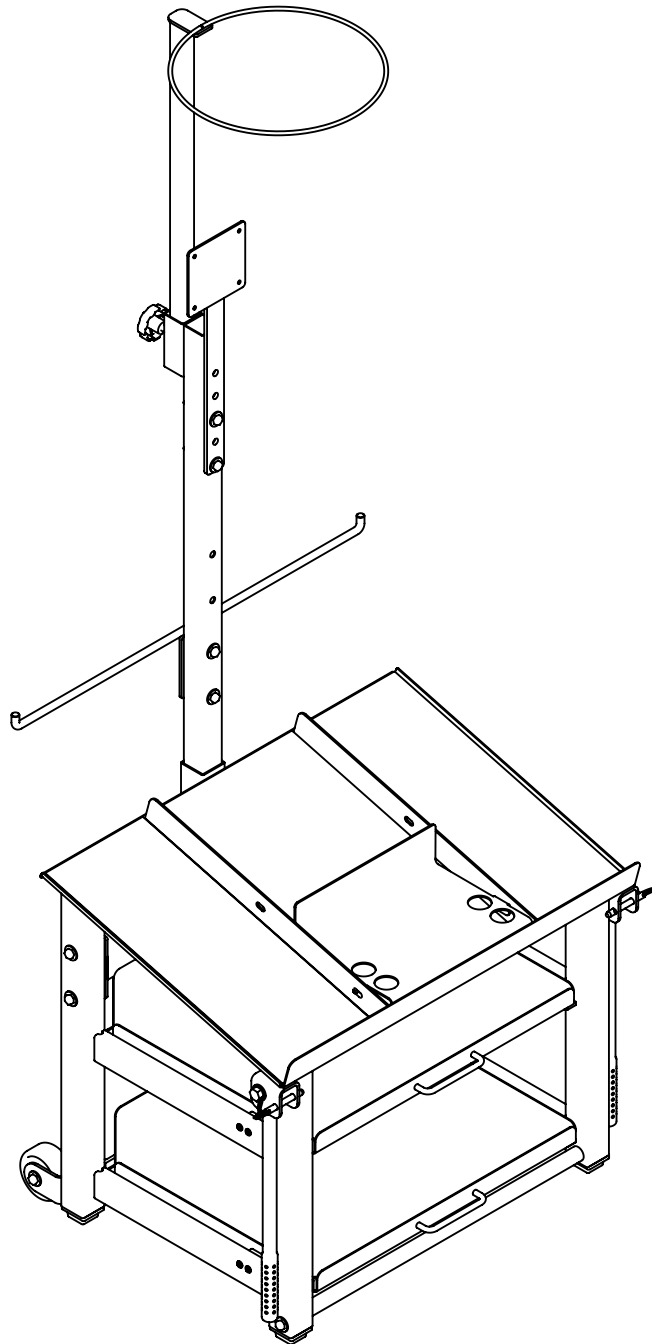


POWERBLOCK POWERSTATION ASSEMBLY INSTRUCTION MANUAL

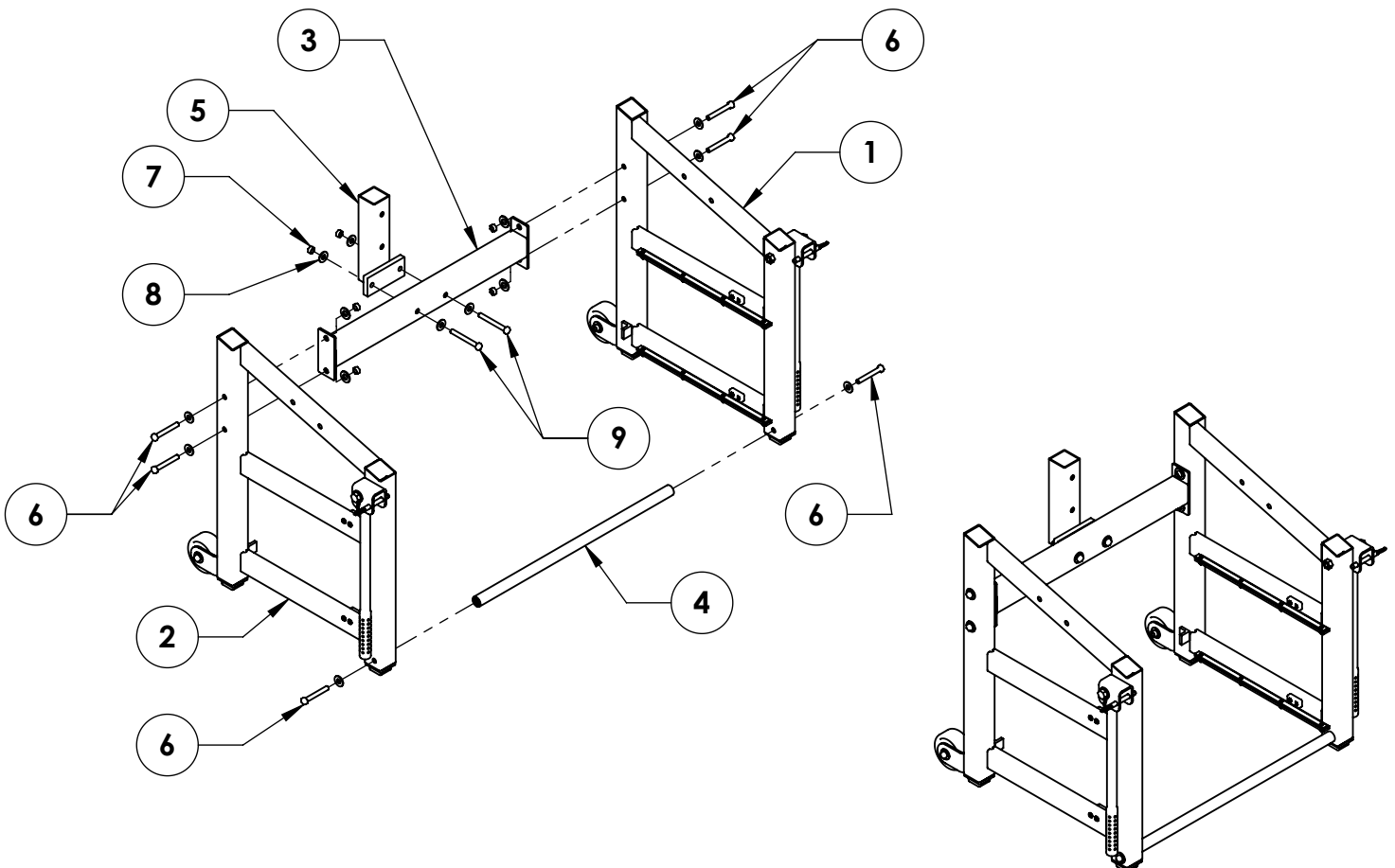


POWERBLOCK POWERSTATION ASSEMBLY STEP 1

ITEM NO.	DESCRIPTION	QTY.
1	POWERSTATION RIGHT LEG ASSEMBLY	1
2	POWERSTATION LEFT LEG ASSEMBLY	1
3	POWERSTATION MAST WLDMT	1
4	POWERSTATION BASE SPACER TUBE WLDMT	1
5	POWERSTATION BOLT ON MAST WLDMT	1
6	M10 X 70mm HEX HEAD BOLT	6
7	M10 FLAT WASHER	14
8	M10 LOCK NUT	6
9	M10 X 80mm HEX HEAD BOLT	2

TOOLS NEEDED: TWO 17mm WRENCHES.

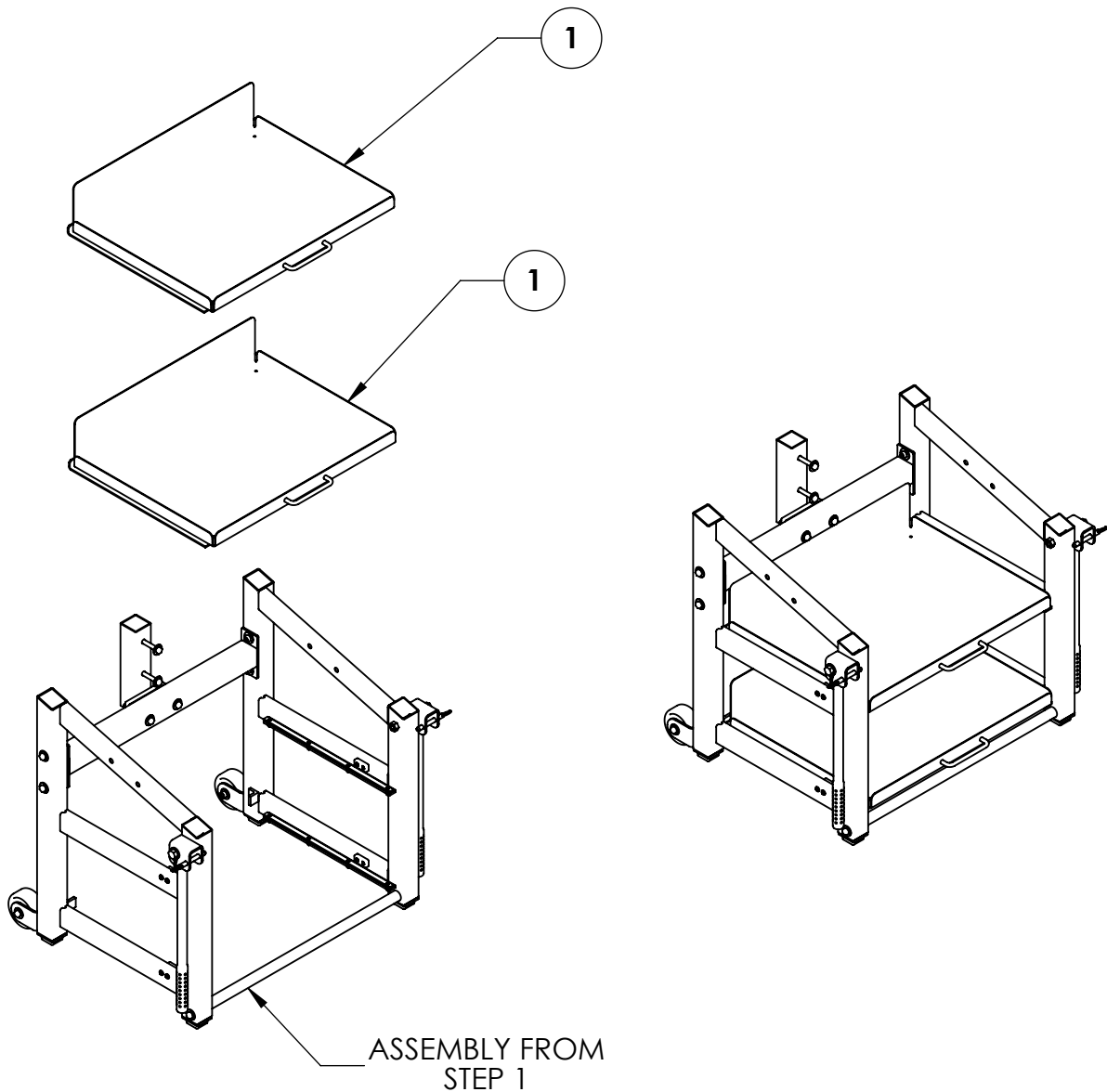
1. ATTACH MAST WLDMT (ITEM 3) AND SPACER TUBE WLDMT (ITEM 4) TO RIGHT LEG ASSEMBLY (ITEM 1) AND LEFT LEG ASSEMBLY (ITEM 2) WITH SUPPLIED HARDWARE. DO NOT TIGHTEN HARDWARE.
2. ATTACH BOLT ON MAST WLDMT (ITEM 5) TO MAST WLDMT (ITEM 3) WITH SUPPLIED HARDWARE. DO NOT TIGHTEN HARDWARE.



POWERBLOCK POWERSTATION ASSEMBLY STEP 2

ITEM NO.	DESCRIPTION	QTY.
1	POWERSTATION DRAWER WLDMT	2

1. PLACE ONE DRAWER ON BOTTOM RUNNERS OF LEGS. PLACE THE SECOND DRAWER ON UPPER RUNNERS OF LEGS. DO NOT TIGHTEN HARDWARE.

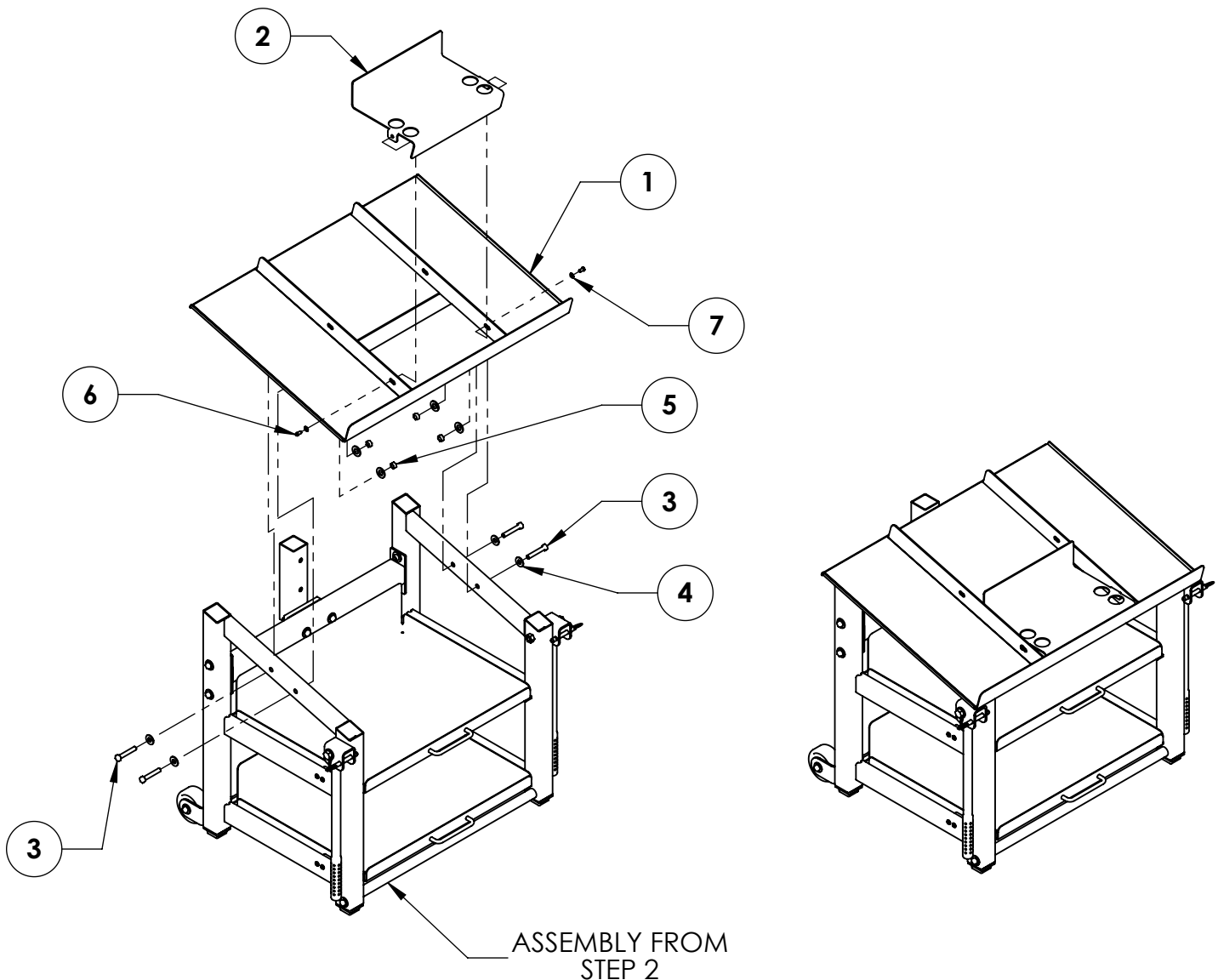


POWERBLOCK POWERSTATION ASSEMBLY STEP 3

ITEM NO.	DESCRIPTION	QTY.
1	POWERSTATION TOP WLDMT	1
2	POWERSTATION KB SHELF WLDMT	1
3	M10 X 45mm HEX HEAD BOLT	4
4	M10 FLAT WASHER	8
5	M10 LOCK NUT	4
6	M6 X 12mm BUTTON HEAD SCREW	2
7	M6 FLAT WASHER	2

TOOLS NEEDED: TWO 17mm WRENCHES AND ONE 5mm ALLEN WRENCH.

1. ATTACH TOP WLDMT (ITEM 1) TO ASSEMBLY FROM STEP 2 USING SUPPLIED HARDWARE. TIGHTEN ALL HARDWARE INCLUDING HARDWARE FROM STEPS 1 AND 2.
2. ATTACH KB SHELF WLDMT (ITEM 2) TO TOP WLDMT (ITEM 1) USING SUPPLIED HARDWARE. TIGHTEN HARDWARE.



POWERBLOCK POWERSTATION ASSEMBLY

STEP 4

ITEM NO.	DESCRIPTION	QTY.
1	POWERSTATION MONITOR UPRIGHT WLDMT	1
2	POWERSTATION HALO WLDMT	1
3	POWERSTATION MONITOR WLDMT	1
4	POWERSTATION VEST HANGER	1
5	POWERSTATION BOLT ON MAST WLDMT	1
6	M10 X 65mm HEX HEAD BOLT	2
7	M10 FLAT WASHER	12
8	M10 LOCK NUT	6
9	DIP KNOB	1
10	M10 X 70mm HEX HEAD BOLT	4

TOOLS NEEDED: TWO 17mm WRENCHES.

1. ATTACH MONITOR UPRIGHT (ITEM 1) TO BOLT ON MAST (ITEM 5) USING SUPPLIED HARDWARE. HEIGHT IS ADJUSTABLE DEPENDANT TO HOLES USED. TIGHTEN HARDWARE.
2. ATTACH VEST HANGER (ITEM 4) TO MONITOR UPRIGHT (ITEM 1) USING SUPPLIED HARDWARE. HEIGHT IS ADJUSTABLE DEPENDANT TO HOLES USED. TIGHTEN HARDWARE.
3. ATTACH MONITOR WLDMT (ITEM 3) TO MONITOR UPRIGHT (ITEM 1) USING SUPPLIED HARDWARE. HEIGHT IS ADJUSTABLE DEPENDANT TO HOLES USED. TIGHTEN HARDWARE.
4. ATTACH HALO WLDMT (ITEM 2) TO MONITOR UPRIGHT (ITEM 1) USING DIP KNOB (ITEM 9).
5. TIGHTEN ALL HARDWARE ON UNIT.

