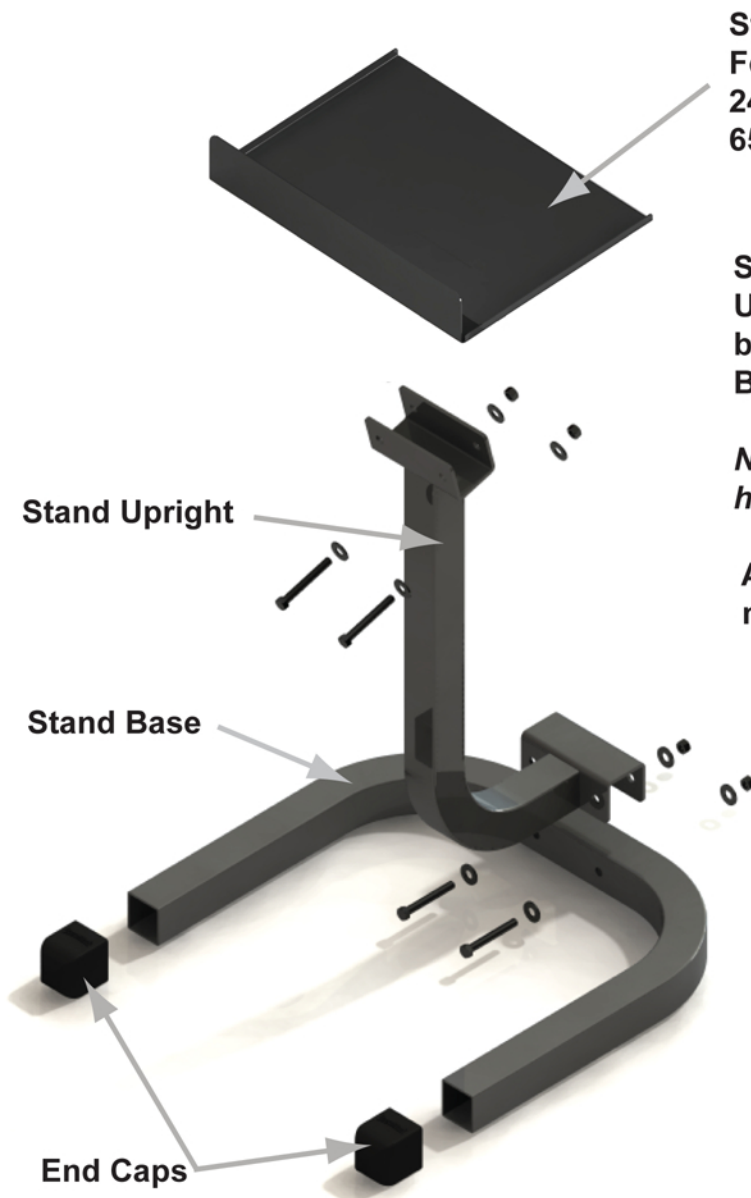




SportStand Assembly Instructions

Thank you for purchasing the SportStand 4.5/5.0. If you have any questions concerning this product, please call customer service at 507-451-7397.



Stand Top
For use with
24, 45, 50 or
65 lb sets

Start assembly by attaching Stand Upright to Stand Base with supplied bolts-washers-nuts, using two 17mm Box End Wrenches or socket set.

NOTE: Be sure to sufficiently tighten all hardware to insure proper rigidity of Stand.

Attach End caps to Stand Base (this step may already come assembled).

Attach Stand top to Stand Upright with supplied bolts-washers-nuts.

WARNING!!!: SPORTSTAND MAXIMUM WEIGHT RATING IS 130 LBS (65 LBS PER BLOCK). USE OF HEAVIER WEIGHTS ON STAND COULD CAUSE SEVERE BODILY INJURY TO YOU OR OTHERS AROUND EQUIPMENT.